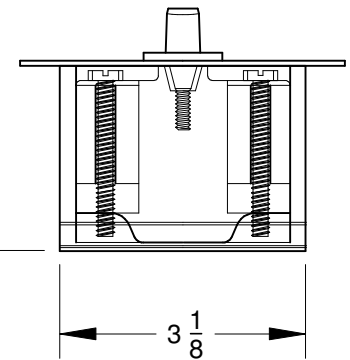
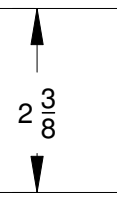
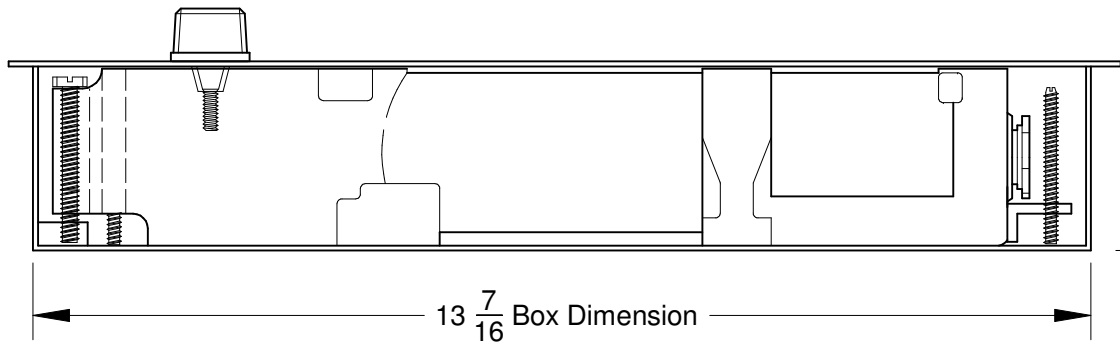
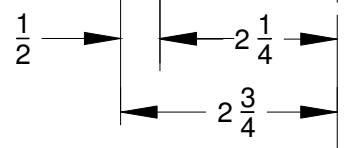


- A MOUNTING BOLTS
- B HEIGHT ADJUSTMENT
- C REGULATING VALVE FOR CLOSING SPEED (80° to 0°)
- D REGULATING VALVE FOR CLOSING SPEED (180° to 80°)
- E REGULATING VALVE FOR HOLD-OPEN ADJUSTMENT

AVAILABLE SPINDLES
PART # CLEARANCE

| | |
|--------|---------|
| 74003* | 1/4" |
| 74005* | 1/2" |
| 74007* | 5/8" |
| 74010* | 3/4" |
| 74012 | 13/16" |
| 74015 | 7/8" |
| 74020 | 1-1/8" |
| 74025 | 1-5/16" |
| 74030 | 1-1/2" |

* In stock



DETAIL
60

DORMA BTS-80 FLOOR CLOSER

P.O. BOX 5431
MARTINSVILLE, VA 24115
PHONE: 800-368-3011
FAX: 276-956-3020

